



HATENBOERWATER

Fresh in water since 1906.

Demitec-UV®

BL 275/L2

Technical specification sheet

UV chamber type BL

| | |
|---|---|
| Material: | stainless steel 316L (1.4404) (optional: HDPE) |
| Roughness, internal: | max. 0.6 to 1.0 micron |
| Shape of construction: | L-shape |
| Connection, standard: | NW80 (optional: 2", 3", NW40 upto W100) |
| Mounting: | vertical (alt. horizontal) |
| Max. water pressure: | 10 bar (higher water pressure on request) |
| Number of UV lamps and quartz sleeves: | 1 |
| UV lamp connection: | one-sided |
| Quartz sleeve(s): | one-side closed |
| Fixation of quartz sleeves: | two-sides fixed |
| Type of quartz, standard: | Q200 |
| Protection class: | IP54 |
| External coating: | option 'CxBL' |
| UV sensor: | option 'Us1' |
| Anti-fouling mechanism, manual: | option 'AF-McBL' |
| Anti-fouling mechanism, electrical: | option 'AF-EcBL' (incl. Lambda 4 controller) |
| Drain/de-aeration connection (1/4"): | included |
| Flange construction for easy access into the chamber: | included |
| Dimensions: | see drawing |

Control cabinet (standard)

| | |
|--|---------------------|
| Material: | painted steel |
| Dimensions at standard power supply (h x w x d): | 600 x 400 x 200 mm |
| Power supply, standard: | 230Volt 1L+N |
| Connected power: | 300W |
| Power supply (110V, 230V 2L or 400V 3L): | option |
| Frequency: | 50 or 60 Hz |
| Protection class: | IP54 |
| Mounting: | wall or skid |
| Electrical cables between chamber and cabinet: | included (5 meters) |

Sizes of control cabinet in other material (h x w x d)

| | |
|----------------------|--------------------|
| Stainless steel 304: | 600 x 400 x 200 mm |
| Plastic: | 750 x 500 x 320 mm |

Controller type (Lambda 2)

| | |
|------------------------------------|----------|
| ON/OFF-switch: | included |
| Individual lamp failure detection: | included |
| Individual lamp status: | included |
| Individual lamp control: | included |
| Hour counter, 'system ON': | included |
| Remote ON/OFF: | option |

In case of option 'UV sensor'

| | |
|--------------------------------|----------|
| Alarm contact (3A): | included |
| Indication "good/low/warning": | included |
| Low UV output signal: | included |
| UV intensity output (4-20 mA): | included |

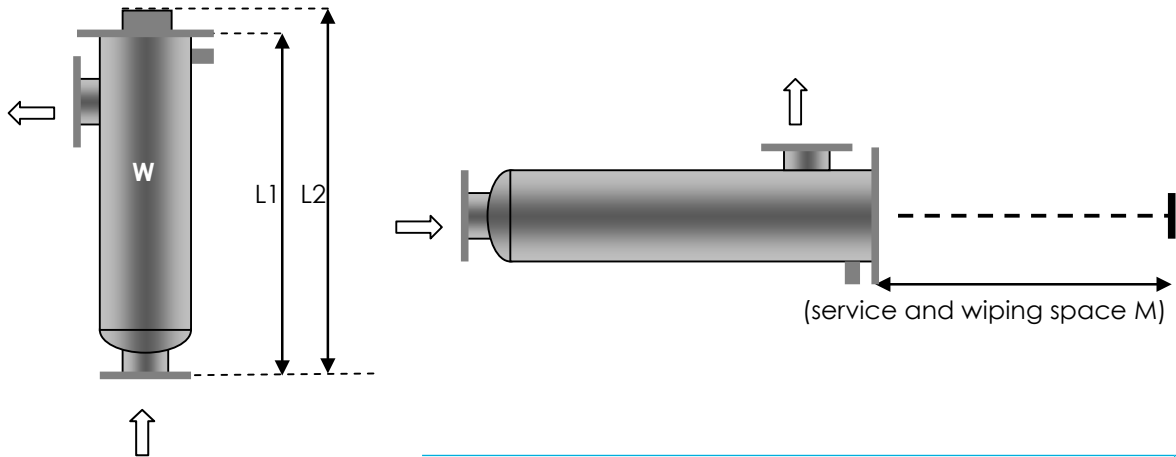


Demitec-UV®

BL 275/L2

Technical specification sheet

Dimensions



| Connection (standard NW80 DIN2576) | mm |
|--|------|
| L1 = distance top-bottom, without anti-fouling mechanism | 1035 |
| L2 = distance top-bottom, with manual anti-fouling mechanism | 1170 |
| M = service and wiping space | 1500 |
| W = outer diameter | 204 |

Capacity table in m³/h* as a function of the expected lamp life:

| UV dose | 25 mJ/cm ² | | | | | 40 mJ/cm ² | | | | |
|-------------------------|-----------------------|-----|-----|-----|-----|-----------------------|-----|-----|-----|-----|
| | 100% | 95% | 90% | 85% | 80% | 100% | 95% | 90% | 85% | 80% |
| UV transmission (%10mm) | | | | | | | | | | |
| 4.000 – 6.000 hours | 55 | 37 | 27 | 21 | 17 | 34 | 23 | 17 | 13 | 11 |
| 6.000 – 8.000 hours | 48 | 32 | 24 | 19 | 15 | 30 | 21 | 15 | 11 | 9 |
| 8.000 – 10.000 hours | 41 | 28 | 21 | 16 | 13 | 26 | 17 | 13 | 10 | 8 |

Higher or lower UV dose can be calculated from above table or on request to be indicated.

Maximum hydraulic capacity**

| Connection size | Capacity in m ³ /h |
|-----------------|-------------------------------|
| NW40 | 13 |
| NW50/2" BSP | 21 |
| NW65 | 36 |
| 3" | 49 |
| NW80 | 54 |
| NW100 | 85 |

** Max capacity is based on a maximum velocity over the in and outlet connections of abt. 3 m/s.



HATENBOERWATER

Fresh in water since 1906.