



**HATENBOERWATER**

*Fresh in water since 1906.*

## Demitec UV®

### BL 375

## Technical specification sheet

### UV chamber type BL

Material:	stainless steel 316L (1.4404) (optional: HDPE)
Roughness, internal:	max. 0.6 to 1.0 micron
Shape of construction:	L-shape
Connection, standard:	NW80 (optional: 2", 3", NW40 upto NW100)
Mounting:	vertical (alt. horizontal)
Max. water pressure:	10 bar (higher water pressure on request)
Number of UV lamps and quartz sleeves:	3
UV lamp connection:	one-sided
Quartz sleeve(s):	one-side closed
Fixation of quartz sleeves:	two-sides fixed
Type of quartz, standard:	Q200
Protection class:	IP54
External coating:	option 'CxBL'
UV sensor:	option 'Us1'
Anti-fouling mechanism, manual:	option 'AF-McBL'
Anti-fouling mechanism, electrical:	option 'AF-EcBL' (incl. Lambda 4 controller)
Drain/de-aeration connection (1/4"):	included
Flange construction for easy access into the chamber:	included
Dimensions:	see drawing

### Control cabinet (standard)

Material:	painted steel
Dimensions at standard power supply (h x w x d):	600 x 600 x 200 mm
Power supply, standard:	230Volt 1L+N
Connected power:	450W
Power supply (110V, 230V 2L or 400V 3L):	option
Frequency:	50 or 60 Hz
Protection class:	IP54
Mounting:	wall or skid
Electrical cables between chamber and cabinet:	included (5 meters)

### Sizes of control cabinet in other material (h x w x d)

Stainless steel 304:	600 x 600 x 200 mm
Plastic:	750 x 500 x 320 mm

### Controller type (Lambda 3)

Display for read-out:	2 x 16 character read-out
Remote control and Remote ON/OFF:	included
Individual lamp failure detection, lamp status and control:	included
Hour counter, 'system ON', non-resettable:	included
Hour counter, 'lamp(s) ON' resettable:	included
Warning messages for lamp failure and maintenance:	included
Input for flow meter, variable (4-20mA) or fixed:	included
PFCs for UV WARNING, ALARM, READY, MAINTENANCE:	included
Water temperature input and protection:	included
Cabinet temperature warning and alarm:	included

### In case of option 'UV sensor'

UV dose read-out (mJ/cm <sup>2</sup> or J/m <sup>2</sup> ):	included
Alarm contact (3A):	included
Low UV output signal:	included
Set points 'minimum UV dose' and 'UV dose warning':	included
4-20mA UV intensity output:	included

### In case of option 'Anti-fouling mechanism 'AF-EcBL'

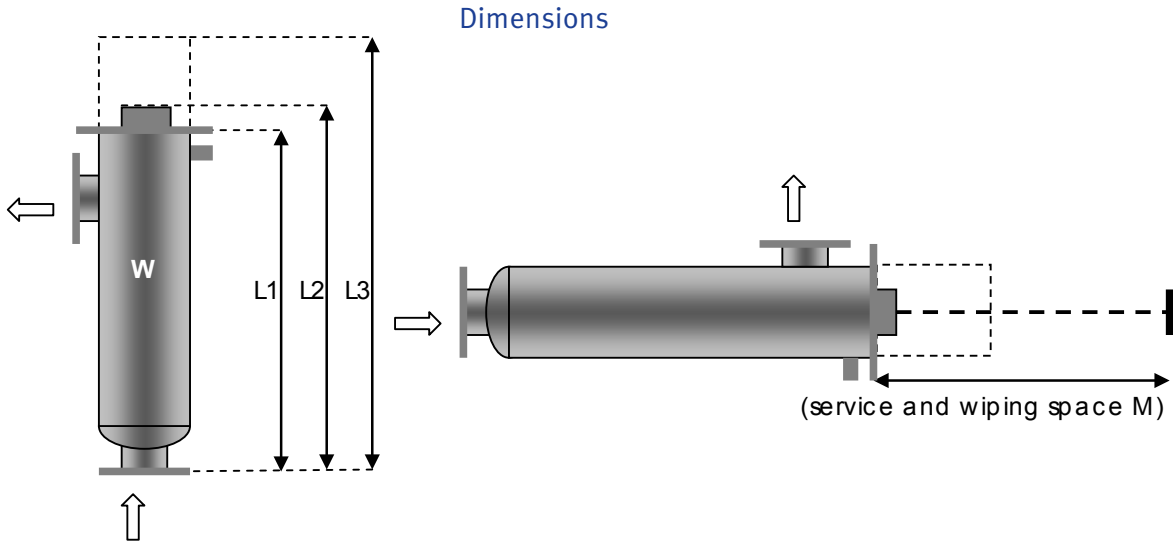
Lambda 4 controller:	included
----------------------	----------



# Demitec UV<sup>®</sup>

## BL 375

### Technical specification sheet



Dimensions

Connection (standard NW80 DIN2576)	mm
L1 = distance top-bottom, without anti-fouling mechanism	1035
L2 = distance top-bottom, with manual anti-fouling mechanism	1170
L3 = distance top-bottom, with electrical anti-fouling mechanism	1320
M = service and wiping space	1500
W = outer diameter	204

Capacity table in m<sup>3</sup>/h\* as a function of the expected lamp life:

UV dose	25 mJ/cm <sup>2</sup>					40 mJ/cm <sup>2</sup>				
	100%	95%	90%	85%	80%	100%	95%	90%	85%	80%
UV transmission (%10mm)										
4.000 – 6.000 hours	79	52.5	37	28.5	22	49	32.5	23	18	14
6.000 – 8.000 hours	69	45.5	33	24.5	19	43	29	20	15.5	12
8.000 – 10.000 hours	59	39	28	21	17	37	24.5	18	13.5	10

Higher or lower UV dose can be calculated from above table or on request to be indicated.

#### Maximum hydraulic capacity\*\*

Connection size	Capacity in m <sup>3</sup> /h
NW40	13
NW50/2" BSP	21
NW65	36
3"	49
NW80	54
NW100	85

\*\* Max capacity is based on a maximum velocity over the in and outlet connections of abt. 3 m/s.



**HATENBOERWATER**

Fresh in water since 1906.