



HATENBOERWATER

Fresh in water since 1906.

Demitec UV[®]

BL 575

Technical specification sheet

UV chamber type BL

Material:	stainless steel 316L (1.4404) (optional: HDPE)
Roughness, internal:	max. 0.6 to 1.0 micron
Shape of construction:	L-shape
Connection, standard:	NW80 (optional: 2", 3", NW40 upto NW100)
Mounting:	vertical (alt. horizontal)
Max. water pressure:	10 bar (higher water pressure on request)
Number of UV lamps and quartz sleeves:	5
UV lamp connection:	one-sided
Quartz sleeve(s):	one-side closed
Fixation of quartz sleeves:	two-sides fixed
Type of quartz, standard:	Q200
Protection class:	IP54
External coating:	option 'CxBL'
UV sensor:	option 'Us1'
Anti-fouling mechanism, manual:	option 'AF-McBL'
Anti-fouling mechanism, electrical:	option 'AF-EcBL' (incl. Lambda 4 controller)
Drain/de-aeration connection (1/4"):	included
Flange construction for easy access into the chamber:	included
Dimensions:	see drawing

Control cabinet (standard)

Material:	painted steel
Dimensions at standard power supply (h x w x d):	600 x 600 x 200 mm
Power supply, standard:	230Volt 1L+N
Connected power:	750W
Power supply (110V, 230V 2L or 400V 3L):	option
Frequency:	50 or 60 Hz
Protection class:	IP54
Mounting:	wall or skid
Electrical cables between chamber and cabinet:	included (5 meters)

Sizes of control cabinet in other material (h x w x d)

Stainless steel 304:	800 x 600 x 200 mm
Plastic:	750 x 750 x 320 mm

Controller type (Lambda 3)

Display for read-out:	2 x 16 character read-out
Remote control and Remote ON/OFF:	included
Individual lamp failure detection, lamp status and control:	included
Hour counter, 'system ON', non-resettable:	included
Hour counter, 'lamp(s) ON' resettable:	included
Warning messages for lamp failure and maintenance:	included
Input for flow meter, variable (4-20mA) or fixed:	included
PFCs for UV WARNING, ALARM, READY, MAINTENANCE:	included
Water temperature input and protection:	included
Cabinet temperature warning and alarm:	included

In case of option 'UV sensor'

UV dose read-out (mJ/cm ² or J/m ²):	included
Alarm contact (3A):	included
Low UV output signal:	included
Set points 'minimum UV dose' and 'UV dose warning':	included
4-20mA UV intensity output:	included

In case of option 'Anti-fouling mechanism 'AF-EcBL'

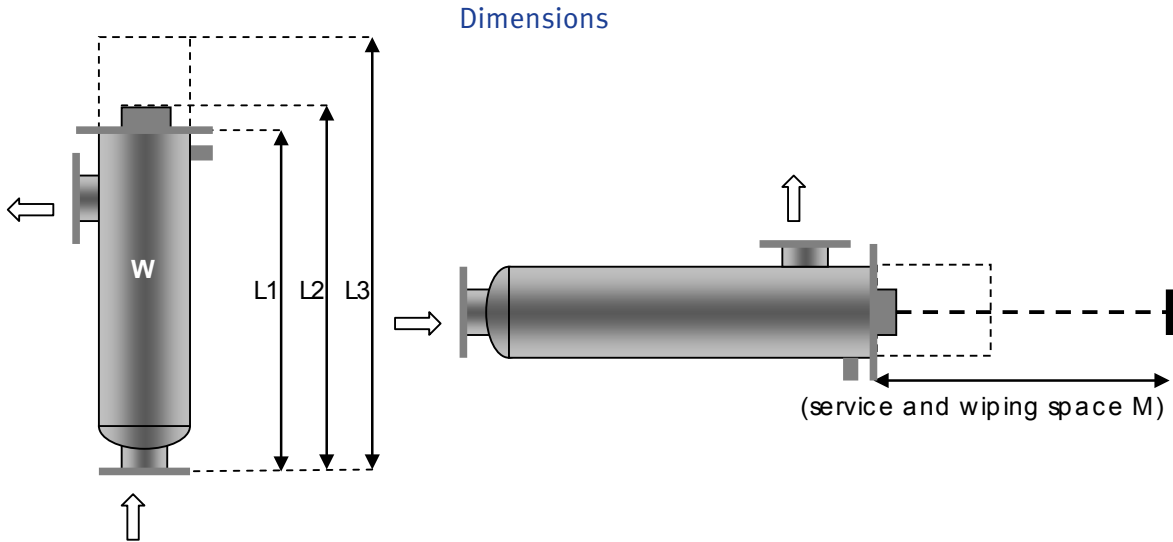
Lambda 4 controller:	included
----------------------	----------



Demitec UV[®]

BL 575

Technical specification sheet



Dimensions

Connection (standard NW80 DIN2576)	mm
L1 = distance top-bottom, without anti-fouling mechanism	1035
L2 = distance top-bottom, with manual anti-fouling mechanism	1170
L3 = distance top-bottom, with electrical anti-fouling mechanism	1320
M = service and wiping space	1500
W = outer diameter	204

Capacity table in m³/h* as a function of the expected lamp life:

UV dose	25 mJ/cm ²					40 mJ/cm ²				
	100%	95%	90%	85%	80%	100%	95%	90%	85%	80%
UV transmission (%10mm)										
4.000 – 6.000 hours	149	106	81	64	53	93	66	50	41	33
6.000 – 8.000 hours	130	91	71	57	46	81	57	44	35	29
8.000 – 10.000 hours	111	79	61	48	40	70	50	38	31	25

Higher or lower UV dose can be calculated from above table or on request to be indicated.

Maximum hydraulic capacity**

Connection size	Capacity in m ³ /h
NW40	13
NW50/2" BSP	21
NW65	36
3"	49
NW80	54
NW100	85

** Max capacity is based on a maximum velocity over the in and outlet connections of abt. 3 m/s.



HATENBOERWATER

Fresh in water since 1906.