



HATENBOERWATER

Fresh in water since 1906.

Demitec-UV®

BM145

Technical specification sheet

UV chamber type BM

Material:	stainless steel 316L (1.4404) (optional: HDPE)
Roughness, internal:	max. 0.6 to 1.0 micron
Shape of construction:	L-shape
Connection, standard:	1½" BSP-M (optional: 1" and 2")
Mounting:	vertical (alt. horizontal)
Max. water pressure: request)	10 bar (higher water pressure on request)
Number of UV lamps and quartz sleeves:	1
UV lamp connection:	one-sided
Quartz sleeve(s):	one-side closed
Fixation of quartz sleeves:	two-sides fixed
Type of quartz, standard:	Q200
Protection class:	IP54
External coating:	option 'CxBM'
UV sensor:	option 'Us1'
Anti-fouling mechanism, manual:	option 'AF-McBM'
Anti-fouling mechanism, electrical:	option 'AF-EcBM'
Drain/de-aeration connection (¼"):	included
Flange construction for easy access into the chamber:	included
Dimensions:	see drawing

Control cabinet (standard)

Material:	painted steel
Dimensions at standard power supply (h x w x d):	400 x 400 x 200 mm
Power supply, standard:	230Volt 1L+N
Connected power:	60W
Power supply (110V, 230V 2L or 400V 3L):	option
Frequency:	50 or 60 Hz
Protection class:	IP54
Mounting:	wall or skid
Electrical cables between chamber and cabinet:	included (5 meters)

Sizes of control cabinet in other material (h x w x d)

Stainless steel 304:	400 x 400 x 200 mm
Plastic:	500 x 500 x 320 mm

Controller type (Lambda 2)

ON/OFF-switch:	included
Individual lamp failure detection:	included
Individual lamp control:	included
Hour counter:	included
'UV system on' indication:	included
Remote ON/OFF:	option

In case of option 'UV sensor'

Alarm contact (3A):	included
Indication "good/warning/failure":	included
Low UV output signal:	included
UV intensity output (4-20 mA):	included

In case of option 'AF-EcBM'

Lambda 4:	see 'Controllers overview Lambda 4'
Dimensions control cabinet:	600 x 600 x 200 mm

Optional controller

Lambda 3 controller:	see 'Controllers overview Lambda 3'
Dimensions control cabinet :	600 x 600 x 200 mm



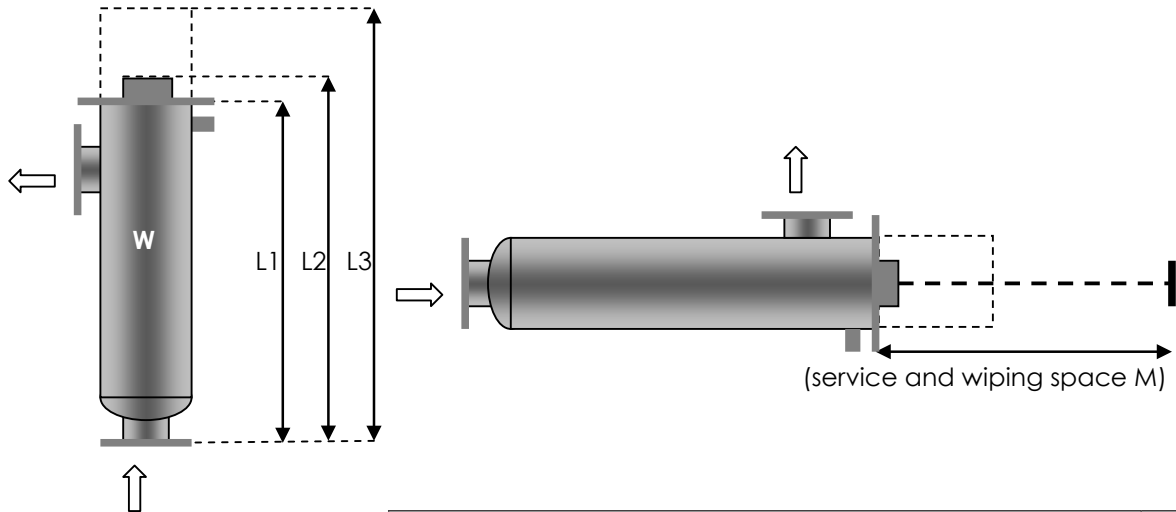
Demitec-UV®

BM145

Technical specification sheet

Dimensions

L-shape of UV irradiation chamber (vertical and horizontal mounted)



Connection 1.5" BSP	mm
L1 = distance top-bottom, without anti-fouling mechanism	990
L2 = distance top-bottom, with manual anti-fouling mechanism	1125
L3 = distance top-bottom, with electrical anti-fouling mechanism	1223
M = service and manual anti-fouling space	1500
M = service and electrical anti-fouling space	1000
W = outer diameter	114

Capacity table in m³/h* as a function of the expected lamp life:

UV dose	25 mJ/cm ²					40 mJ/cm ²				
	100%	95%	90%	85%	80%	100%	95%	90%	85%	80%
4,000 – 6,000 hours	13	11	9	8	7	8	7	6	5.5	8
6,000 – 8,000 hours	11	9.5	8	7	6	7	6	5	4.5	7
8,000 – 10,000 hours	9	8	7	6.5	6	6	5	4	3.5	6

Higher or lower UV dose can be calculated from above table or on request to be indicated.

Maximum hydraulic capacity**

Connection size	Capacity in m ³ /h
1"	5
1 1/2"	12
2"	21

** Max capacity is based on a maximum velocity over the in and outlet connections of abt. 3 m/s.



HATENBOERWATER

Fresh in water since 1906.